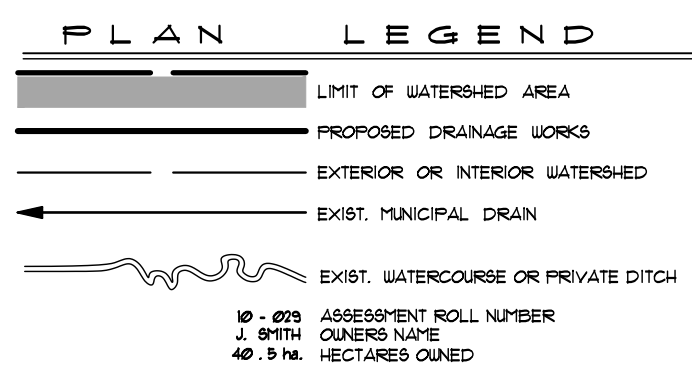
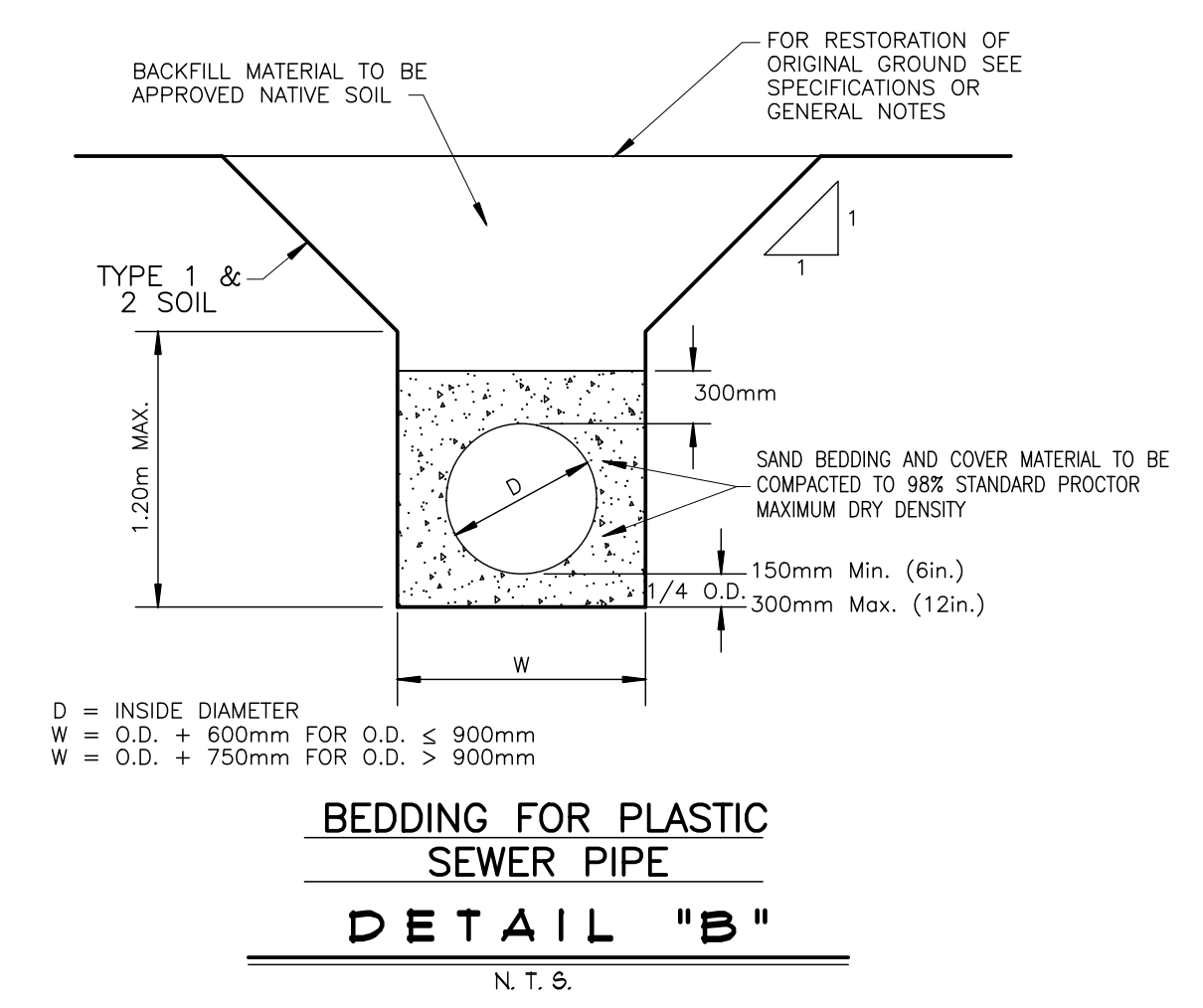
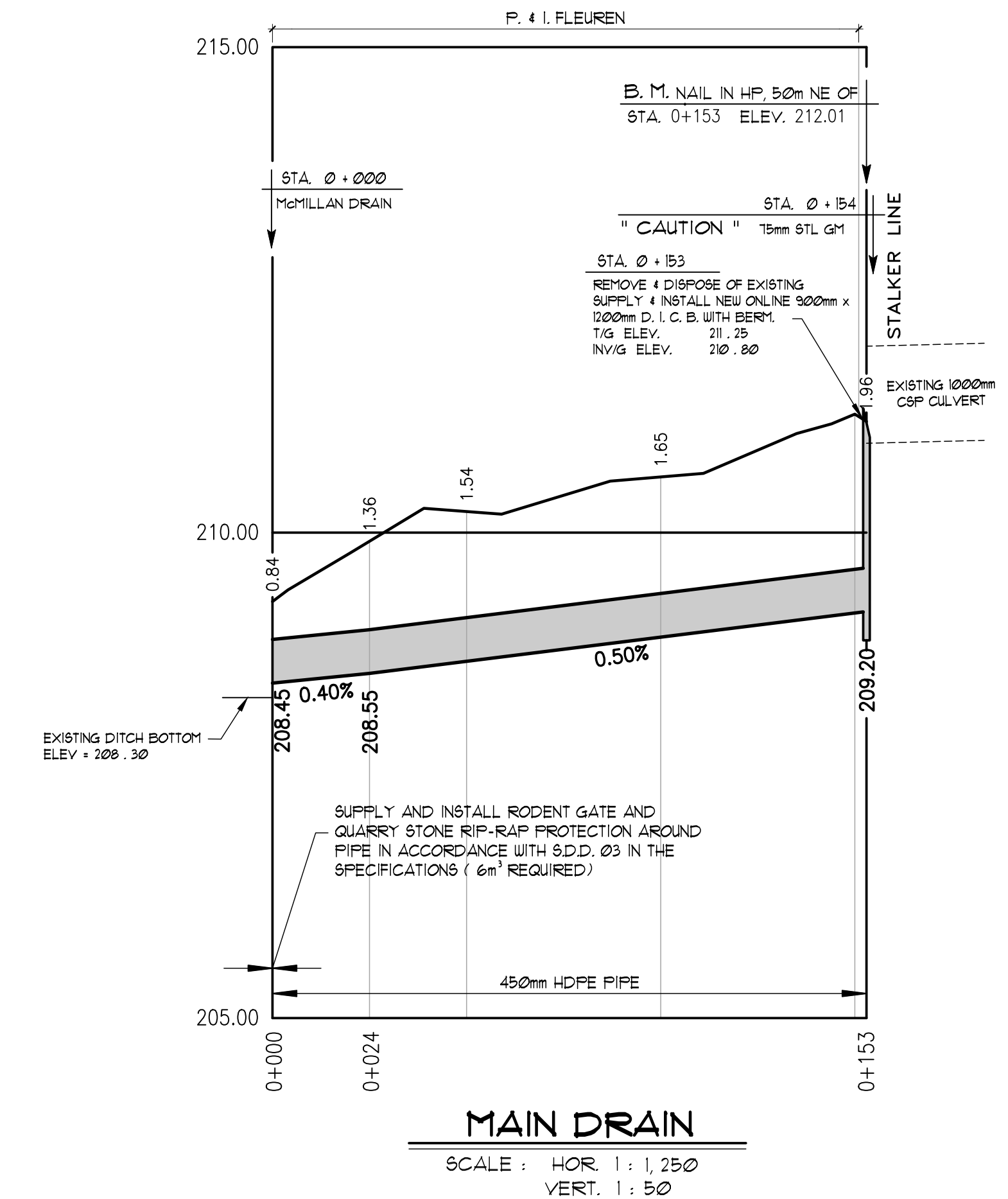


GENERAL NOTES

- 1/ OUR SPECIFICATIONS DATED JANUARY 2020 APPLY TO THIS PROJECT.
- 2/ THE WORKING WIDTH AVAILABLE TO THE CONTRACTOR TO CONSTRUCT THE NEW DRAINS SHALL CONSIST OF THOSE LANDS IMMEDIATELY ADJACENT TO THE DRAIN AND CONNECTIONS AND SHALL NOT EXCEED THE FOLLOWING AVERAGE WIDTHS:
CLOSED PORTIONS - 5 meters
THE WORKING WIDTH FOR PURPOSES OF FUTURE MAINTENANCE SHALL BE 10m.
- 3/ ALL OWNERS ALONG THE COURSE OF THE DRAIN SHALL MAKE AN ACCESS ROUTE FROM THE NEAREST ROAD TO THE DRAIN LOCATION AVAILABLE TO THE CONTRACTOR THE AVERAGE WIDTH OF THIS ROUTE SHALL NOT EXCEED 9 METERS. THE ACCESS ROUTE SHALL ALSO APPLY FOR FUTURE MAINTENANCE PURPOSES.
- 4/ a) ALL UTILITIES TO BE LOCATED AND EXPOSED PRIOR TO CONSTRUCTION SO THAT THE NEW TILE GRADES CAN BE CONFIRMED. IF THERE IS A CONFLICT IN ELEVATION BETWEEN THE PROPOSED DRAIN AND THE UTILITY, THE ENGINEER IS TO BE NOTIFIED IMMEDIATELY.
b) CONTRACTOR TO NOTIFY ALL UTILITIES 72 HOURS PRIOR TO HIS SCHEDULED TIME FOR STARTING THE ABOVE WORK.
c) THE COST FOR THIS WORK SHALL BE INCLUDED IN THE ITEM ON THE EXTENT OF WORK AND NO EXTRA PAYMENT SHALL BE MADE TO THE CONTRACTOR, EXCEPT IF ROAD RESTORATION IS REQUIRED.
- 5/ ALL TREES, SCRUB, BRUSH, ETC. TO BE CLEARED AND GRUBBED IN ACCORDANCE WITH "SECTION B.3 AND C.4" SPECIFICATIONS.
- 6/ RIP-RAP TO BE SUPPLIED AND INSTALLED IN ACCORDANCE WITH "SECTION A.28" IN THE SPECIFICATIONS.
- 7/ CONTRACTOR TO ARRANGE A PRE-CONSTRUCTION MEETING WITH THE ENGINEER, DRAINAGE SUPERINTENDENT AND THE AFFECTED OWNERS. ALL PARTIES SHALL RECEIVE 48 HOURS NOTICE TO THE MEETING.
- CLOSED PORTIONS**
- 8/ ALL PLASTIC PIPE TO CONFORM TO "SECTION C.1" IN THE SPECIFICATIONS.
a) SEWER PIPE TO BE CONCRETE, H.D.P.E. PLASTIC 320 KPA (BELL 4 SPIGOT WITH RUBBER GASKETS, CONFORMING TO C.S.A. 1026-00), PVC ULTRA RIB OR PVC SDR 35
EXISTING TILE DRAINS TO BE EXPOSED IN AS MANY LOCATIONS AS ARE NECESSARY TO CONFIRM THEIR EXACT LOCATION AND ELEVATION PRIOR TO CONSTRUCTION. EXACT LOCATION OF NEW TILE DRAINS THEN TO BE CONFIRMED BY DRAINAGE SUPERINTENDENT OR ENGINEER.



PLAN SCALE 1 : 2,500



FLEUREN DRAIN
Municipality of
West Elgin

Drainage Superintendent: TOM MOHAN 519-785-0560	No.	REVISIONS	DATE
Drawn By: MM Date: MAY 29, 2024	Field Book: GFS	JOB No.: 223253	Drawing No.: 1 of 1

SPRIET ASSOCIATES
LONDON LIMITED
CONSULTING ENGINEERS
155 YORK STREET - LONDON (519) 672-4100 - NEA 1A8